



The new generation  
of compact loaders.

*mini***Z400**

[firstgreenindustries.com](http://firstgreenindustries.com)

**MiniZ is more than a loader, it is a proven concept.**

Thanks to constant innovations, we strive to be one step ahead at FIRSTGREEN Industries. We believe in the power of simplicity, which is why we have developed new types of 100% electric compact loaders. Powerful devices with up to 8 hours endurance on a single charge, zero negative impact on the environment, minimal maintenance costs and downtime.



**Extreme power in compact design.**



**\*Fits through standard door.**

# Compact loader.

**MINI Z.** Compact and precisely manufactured electric loader represents the highest technology and years of experience of FIRSTGREEN Industries.



- Extensive safety features
- Ground breaking powertrain
- Micro speed for precision maneuverability
- Minimal maintenance
- 100% Eco-friendly

Battery life

up to **8** h

Depending on use and load

Maximum lifting height

**2186** mm

Class Leading for extreme versatility

Load capacity

**400** Kg

Ultimate power in a small package

Compact Dimensions

**1150** height mm / **800** width mm

Fits through standard doorways

Remote control

**50** m

Safe, controlled ease of operation

Battery capacity

**225** Ah

Full charge in under 5 hours

# Technical specifications.



miniZ400

SPECIFICATIONS	METRIC	IMPERIAL
Rated load capacity	400 kg	882 lb
Tipping load	800 kg	1 764 lb
Minimum travel speed	0,1 km/h	0.06 mph
Maximum travel speed	5 km/h	3,1 mph
Hinge pin height	2 186 mm	86 in
Overall width	790 mm	31 in

## STANDARD FEATURES

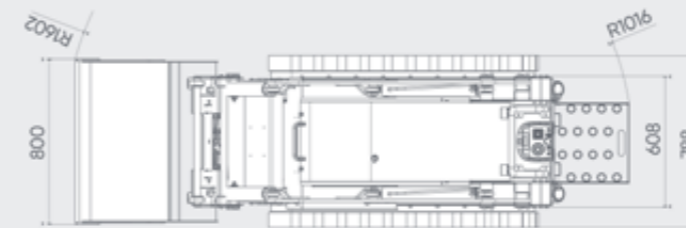
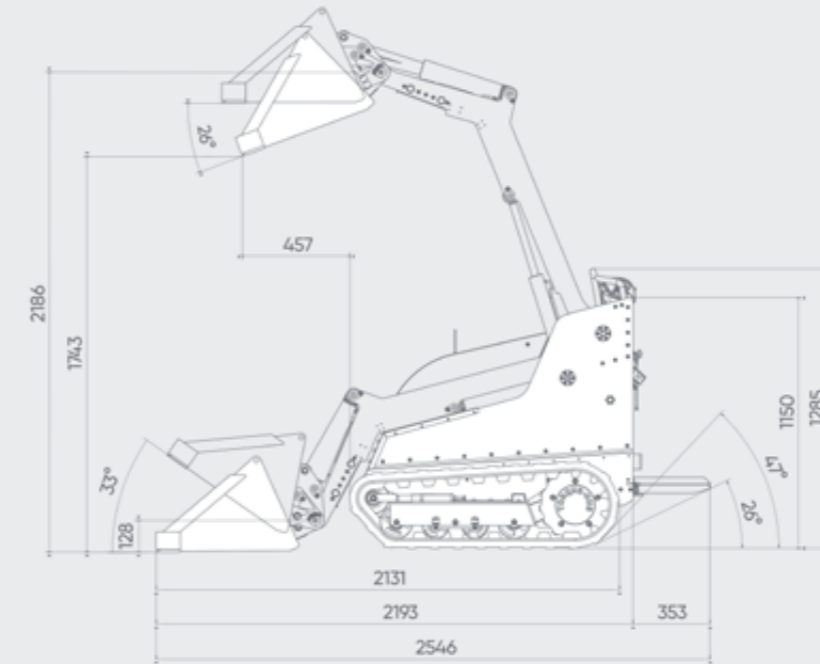
- Basic Bucket
- Danfoss Professional ISO Joystick Remote Control
- Lead-Acid battery 48V/225Ah
- External Battery Charger (3 phase or 1 phase)
- Operator Platform
- Danfoss Hydraulic system
- Independent motors – 2 for drive, 1 for Hydraulics
- Micro-speed Control

## TUNE-UP YOUR MACHINE WITH OPTIONAL FEATURES

- Cable set pre-install for electric attachments

ENGINE	METRIC	IMPERIAL
Electric engine type	3xIPM120	3xIPM120
Maximum performance	3x2,7 kW	3x4 HP

HYDRAULIC SYSTEM	METRIC	IMPERIAL
Hydraulic oil pressure	150 bar	2 175,6 psi
Hydraulic oil flow	25 l/min	6,6 gal/min
Hydraulic oil reservoir	30 l	7,9 gal



WEIGHTS	METRIC	IMPERIAL
Rated operating weight	1 100 kg	2 425 lb
Total weight of the loader	1 500 kg	3 307 lb

HYDRAULICS	METRIC	IMPERIAL
Hydraulic oil pressure	150 bar	2175,6 psi
Hydraulic oil flow	25 l/min	6,6 gal/min
Hydraulic oil reservoir	30 l	7,9 gal

# Professional remote control with reach of 50m.

## With a wide range of attachments.



Basic bucket



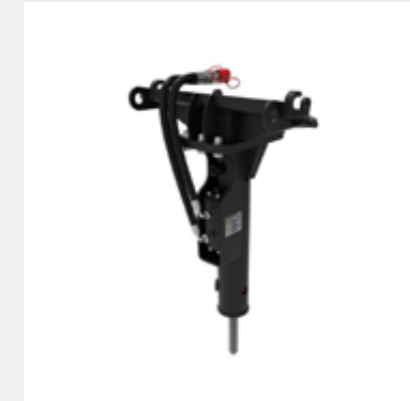
Snow blower



Small dozer blade



PTO



Mini hammer



... plus 9 other attachments on [firstgreenindustries.com](https://www.firstgreenindustries.com)



+420 737 633 733

info@firstgreenindustries.com



For more FIRSTGREEN products, visit

[www.firstgreenindustries.com](http://www.firstgreenindustries.com)

+420 737 633 733, [info@firstgreenindustries.com](mailto:info@firstgreenindustries.com)